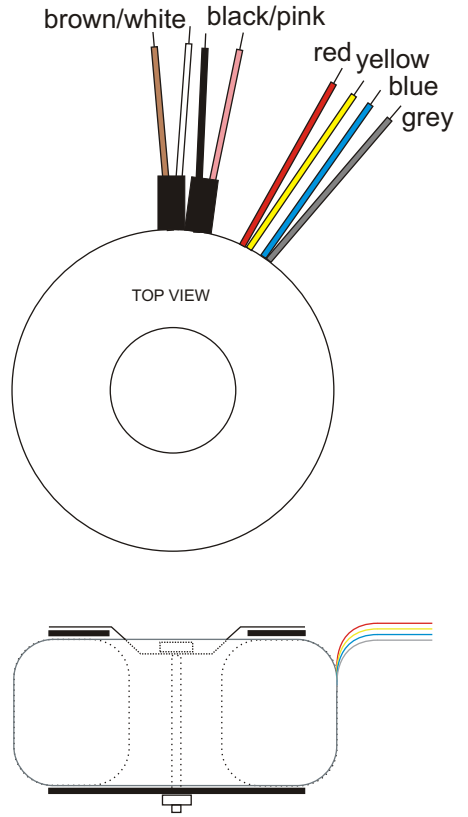
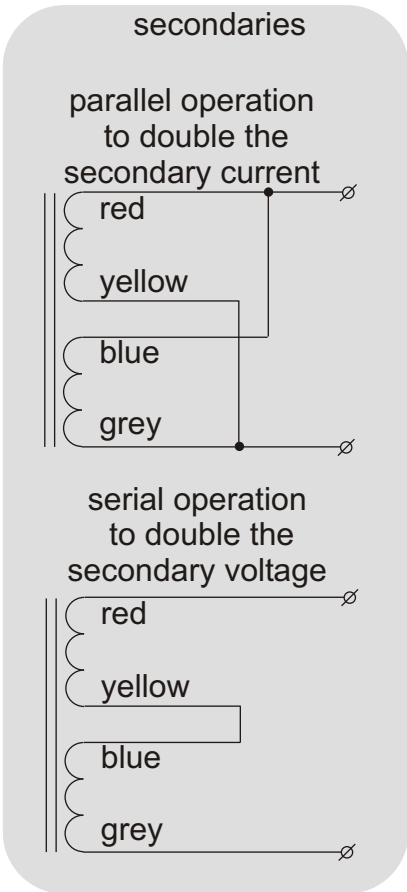
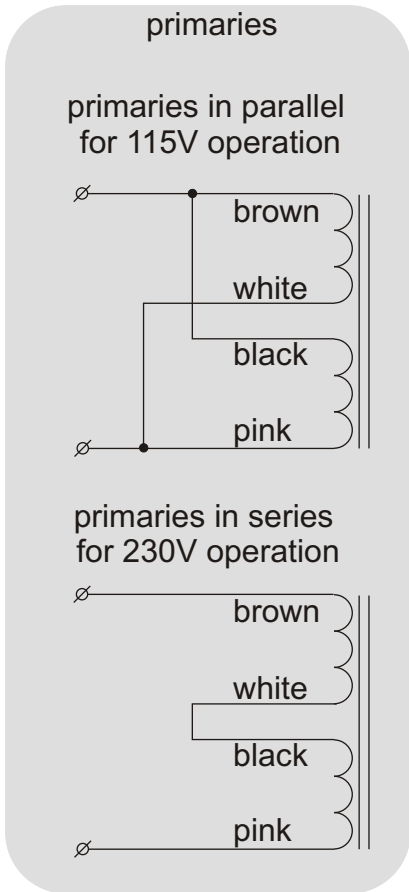
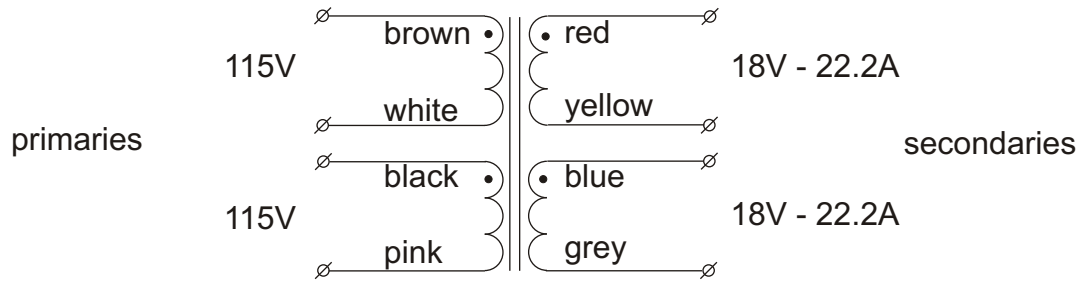


Toroidal transformer type V7014



Diameter 160mm
 Height 62mm
 Weight 6.4kg
 Height and weight are measured without mounting materials
 All leads are solid and approx 200mm long

Supplied mounting materials:
 1 metal washer Ø110mm
 2 neoprene washers Ø110mm
 1 bolt M8x70mm with nut

With KEMA KEUR, ENEC, CE and UL/CSA approvals
 KEMA certificate 96 2307, UL filenumber E320377.

Time lag fuses to be used.
 For 230V use: primary: 4A, 5x20mm, IEC127, high I²t value in series with two NTC-resistors type NTC5
 secondary: none
 For 115V use: primary: 8A, 5x20mm, IEC127, high I²t value in series with 2 NTC-resistors type NTC2.5
 secondary: none

Type number	primary	secondaries voltage	current
V7014	2x115V	2x 18V	22.2A

All voltages are under full ohmic load.
 Regulation : 4%

800VA	115V / 230V	50Hz / 60Hz	
	KEMA KEUR	RoHS	
UL US	CCA	CB	CE

	Industrieweg 14 NL-7161BX NEEDE The Netherlands P O - B o x 27 NL-7160AA NEEDE The Netherlands Tel. +31 (0)545 283456 Fax +31 (0)545 283457 info@amplimo.nl http://www.amplimo.nl	HB	Oct 2010	<h2>V7014</h2> <p>toroidal transformer 800VA for 115V or 230V operation</p>
	© Copyright Amplimo BV			