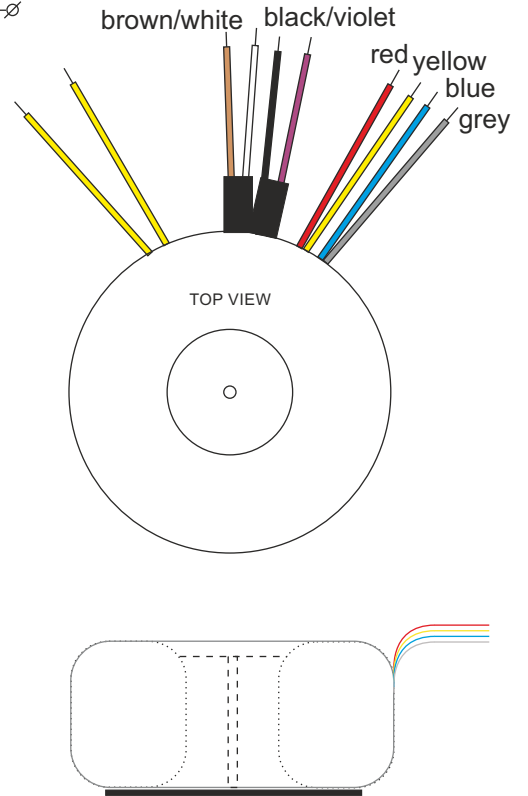
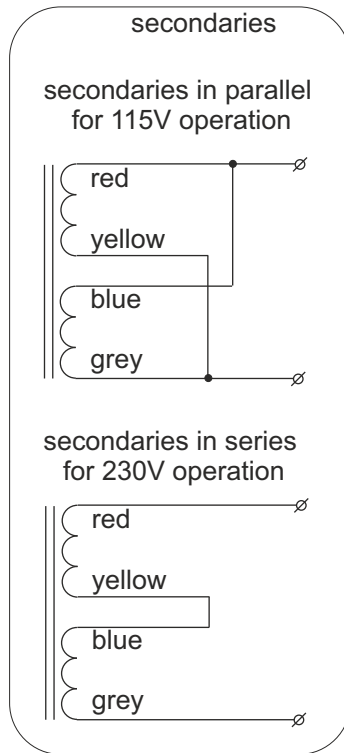
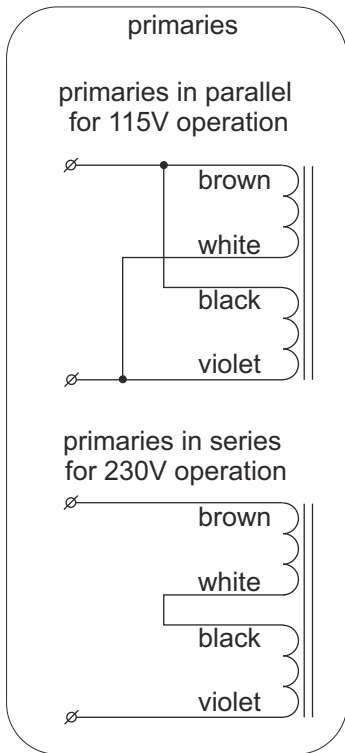
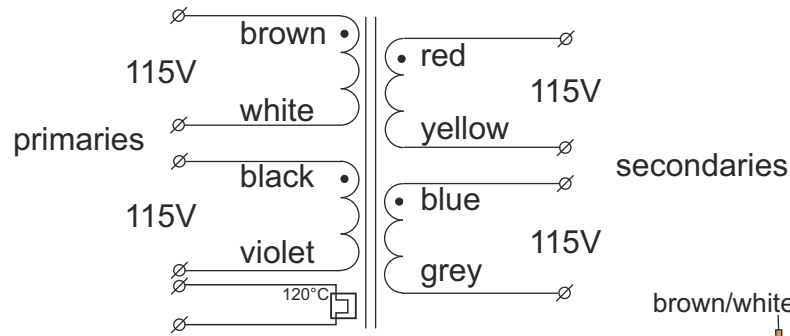


Toroidal transformer 3000VA type R7670PT



Built-in selfresetting thermal cut-out 120°C to be applied in auxiliary circuits only !

Diameter approx.230mm
 Height approx.110mm
 Weight approx.24 kg
 All leads are flexible and approx 200mm long

Center potted with 8mm mounting hole.
 Rubber washer supplied.

Built and tested according to EN61558.
 With CE and UL/CSA approvals.
 UL filenumber E311200
 RoHS-compliant

Type number	primary	secondaries voltage	current
R7670PT	2x115V	2x 115V	13.0A

All voltages are under full ohmic load.
 Regulation : 2.5%

	P/N AMP-3000115		
	TYPE R7670PT		
	BATCH 00000	50/60Hz	
	MADE IN CHINA		
PRI.	2x 115VAC BROWN-WHITE / BLACK-VIOLET		
SEC.	2x 115VAC 13.0A RED-YELLOW / BLUE-GREY		

	Industrieweg 14 NL-7161BX NEEDE The Netherlands	HB	Mar 2017	R7670PT AMP-3000115
	P O - B o x 2 7 NL-7160AA NEEDE The Netherlands Tel.+31 (0)545 283456 Fax+31 (0)545 283457			
	info@amplimo.nl http://www.amplimo.nl	©	Copyright Amplimo BV	