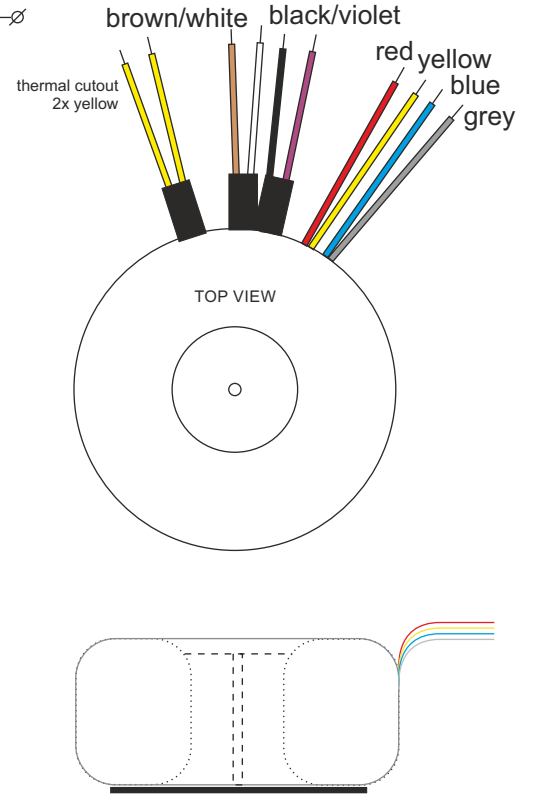
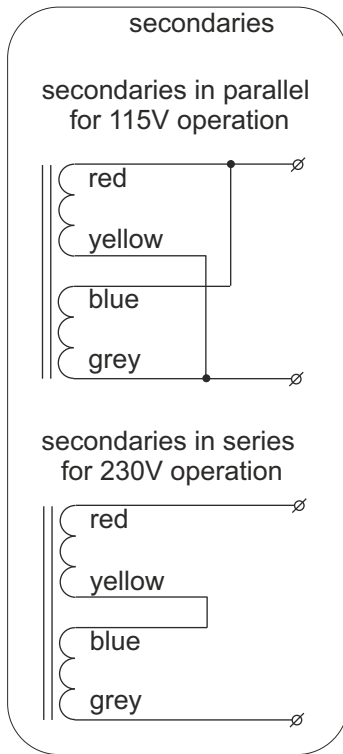
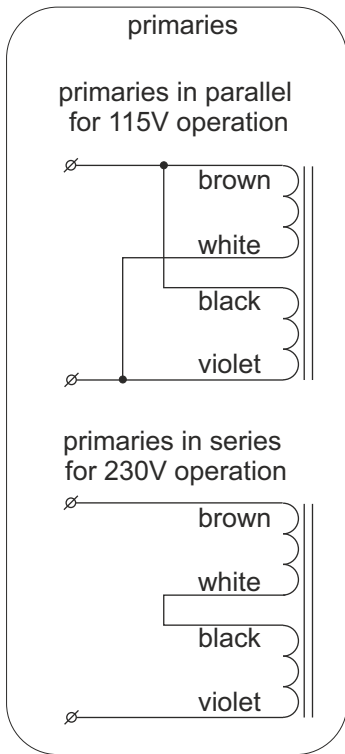
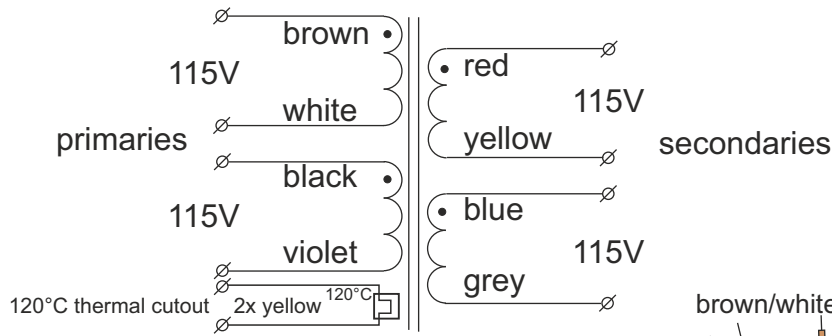


Toroidal transformer 2000VA type N7670PT



Built-in selfresetting thermal cutout : 120°C to be applied in auxiliary circuits only !

Diameter approx.223mm
 Height approx.82mm
 Weight approx.16.5kg
 All leads are flexible and approx 200mm long

Center potted with 8mm mounting hole.
 Rubber washer supplied.

Built and tested according to EN61558.
 With CE and UL/CSA approvals.
 UL filenumber E311200
 RoHS-compliant

Type number	primary	secondaries voltage	current
N7670PT	2x115V	2x 115V	8.7A

All voltages are under full ohmic load.
 Regulation : 3%

P/N AMP-2000115
 TYPE N7670PT
 BATCH 00000
 MADE IN CHINA

CE 50/60Hz
 E311200

PRI. 2x 115VAC BROWN-WHITE / BLACK-VIOLET
 SEC. 2x 115VAC 8.69A RED-YELLOW / BLUE-GREY
 AMPLIMO BV, INDUSTRIEWEG 14, 7161BX, NEEDE, NL, WWW.AMPLIMO.NL

	Industrieweg 14 NL-7161BX NEEDE The Netherlands P O - B o x 27 NL-7160AA NEEDE The Netherlands Tel.+31 (0)545 283456 Fax+31 (0)545 283456 info@amplimo.nl http://www.amplimo.nl	HB HB	Feb 2007 Sep 2017	N7670PT AMP-2000115 toroidal power transformer 2000VA
	© Copyright Amplimo BV			