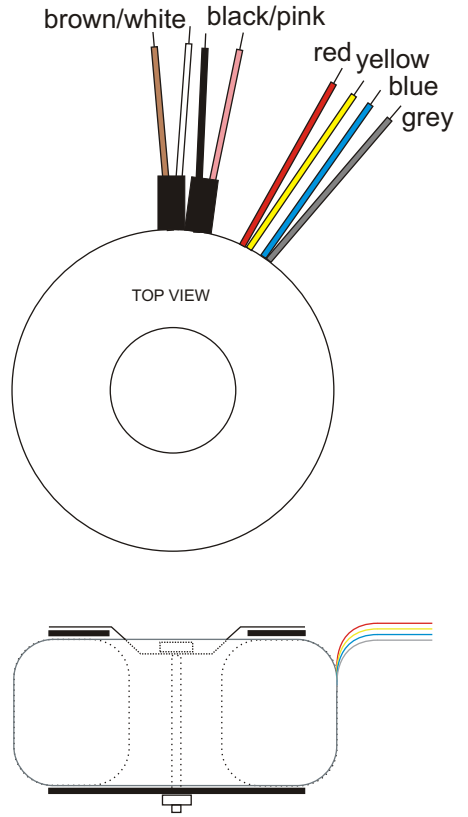
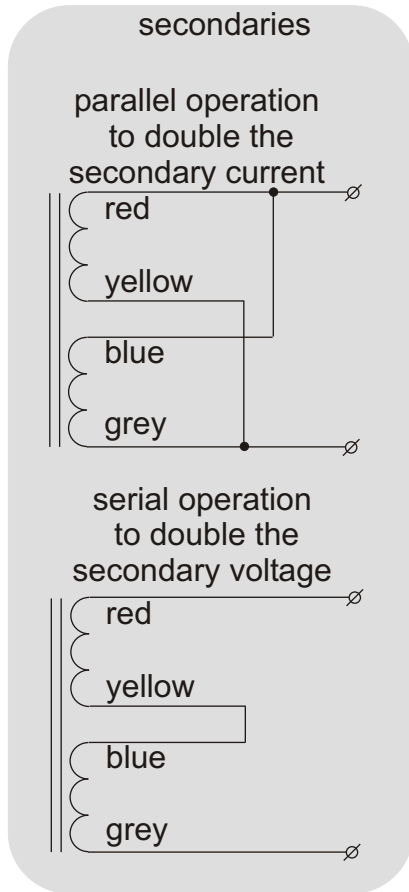
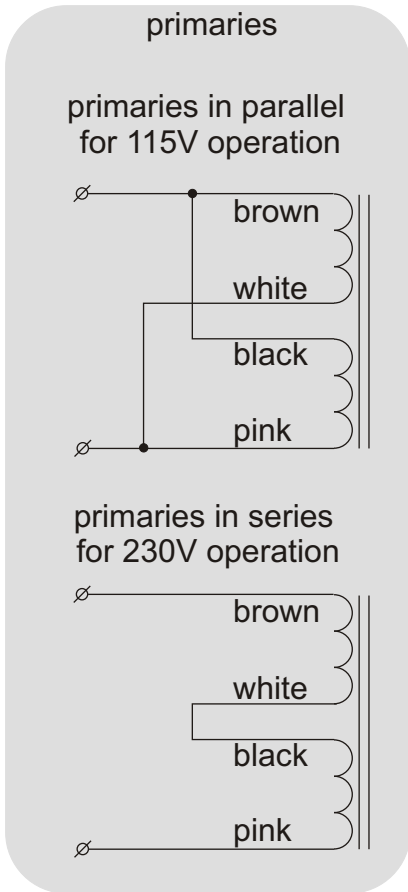
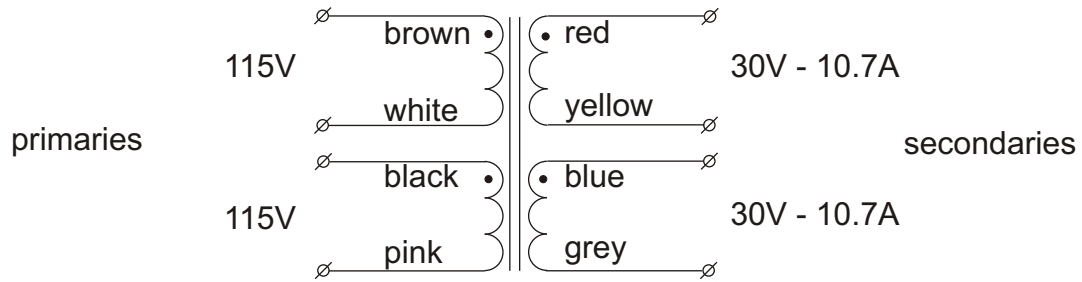


Toroidal transformer type 97017



Diameter 135mm
 Height 72mm
 Weight 5.0kg
 Height and weight are measured without mounting materials
 All leads are solid and approx 200mm long

Supplied mounting materials:
 1 metal washer Ø110mm
 2 neoprene washers Ø110mm
 1 bolt M8x90mm with nut

With KEMA KEUR, ENEC, CE and UL/CSA approvals
 KEMA certificate 96 2307, UL filenumber E320377.

Time lag fuses to be used.
 For 230V use: primary: 3.15A, 5x20mm, IEC127, high I²t value in series with two NTC-resistors type NTC5
 secondary: none
 For 115V use: primary: 6.3A, 5x20mm, IEC127, high I²t value in series with 2 NTC-resistors type NTC2.5
 secondary: none

| Type number | primary | secondaries voltage | current |
|-------------|---------|---------------------|---------|
| 97017 | 2x115V | 2x 30V | 10.4A |

All voltages are under full ohmic load.
 Regulation : 4%

| | | | |
|-------|-------------|-------------|----|
| 625VA | 115V / 230V | 50Hz / 60Hz | |
| | KEMA KEUR | RoHS | |
| cULUS | CCA | CB | CE |



Industrieweg 14
 NL-7161BX NEEDE
 The Netherlands
 P O - B o x 27
 NL-7160AA NEEDE
 The Netherlands
 Tel. +31 (0)545 283456
 Fax +31 (0)545 283457
 info@amplimo.nl
 http://www.amplimo.nl

| | |
|----|----------------------|
| HB | Oct 2010 |
| | |
| | |
| | |
| | |
| © | Copyright Amplimo BV |

97017
 toroidal transformer
 625VA
 for 115V or 230V operation