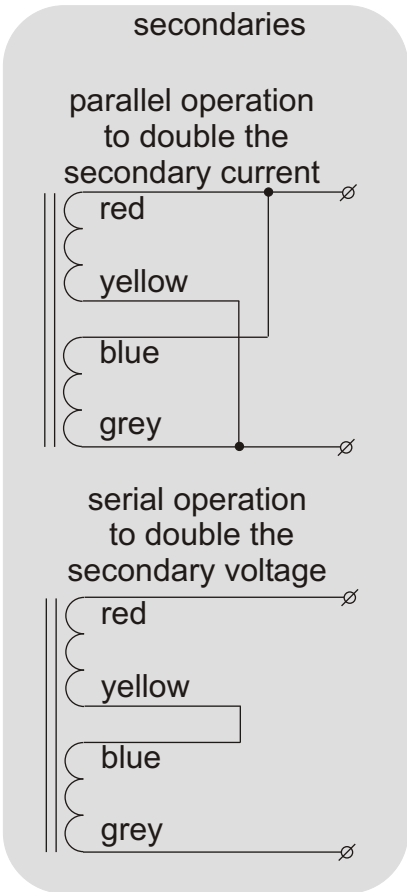
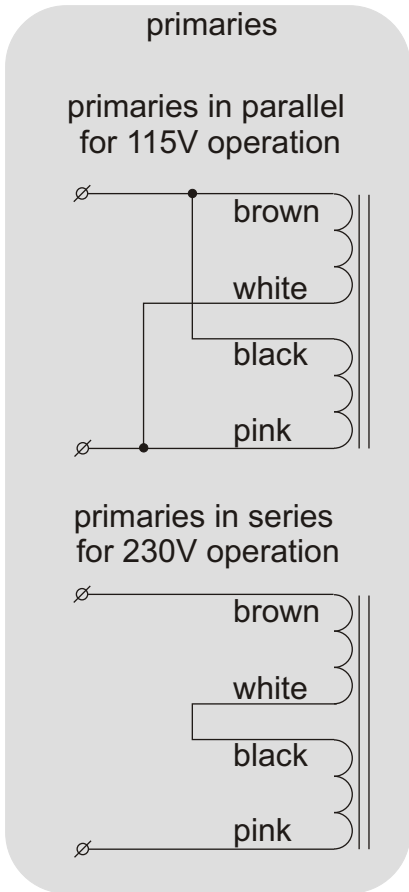
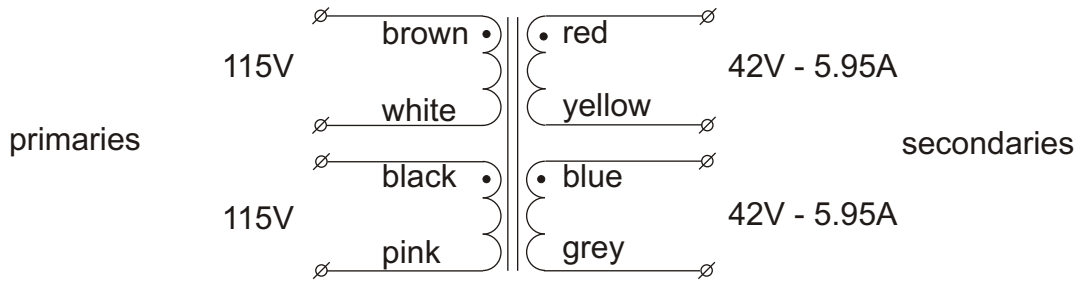


## Toroidal transformer type 87022



Diameter 135mm  
 Height 63mm  
 Weight 4.2kg  
 Height and weight are measured without mounting materials  
 All leads are solid and approx 200mm long

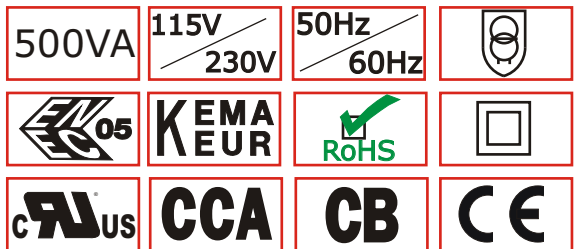
Supplied mounting materials:  
 1 metal washer Ø110mm  
 2 neoprene washers Ø110mm  
 1 bolt M8x70mm with nut


With KEMA KEUR, ENEC, CE and UL/CSA approvals  
 KEMA certificate 96 2307, UL filenumber E320377.

Time lag fuses to be used.  
 For 230V use: primary: 2.5A, 5x20mm, IEC127, high I<sup>2</sup>t value in series with two NTC-resistors type NTC5  
 secondary: none  
 For 115V use: primary: 5A, 5x20mm, IEC127, high I<sup>2</sup>t value in series with 2 NTC-resistors type NTC5  
 secondary: none

| Type number | primary | secondaries voltage | current |
|-------------|---------|---------------------|---------|
| 87022       | 2x115V  | 2x 42V              | 5.95A   |

All voltages are under full ohmic load.  
Regulation : 4.5%



|   |   |    |                      |   |  |
|---|---|----|----------------------|---|--|
|  | Industrieweg 14<br>NL-7161BX NEEDE<br>The Netherlands   | HB | Oct 2010             | <h1 style="margin: 0;">87022</h1> <p style="margin: 0;">toroidal transformer<br/>500VA<br/>for 115V or 230V operation</p> |  |
|   | P O - B o x 27<br>NL-7160AA NEEDE<br>The Netherlands<br>Tel. +31 (0)545 283456<br>Fax +31 (0)545 283457           |    |                      |   |  |
|   | <a href="mailto:info@amplimo.nl">info@amplimo.nl</a><br><a href="http://www.amplimo.nl">http://www.amplimo.nl</a> | ©  | Copyright Amplimo BV |   |  |
|   |   |    |                      |   |  |