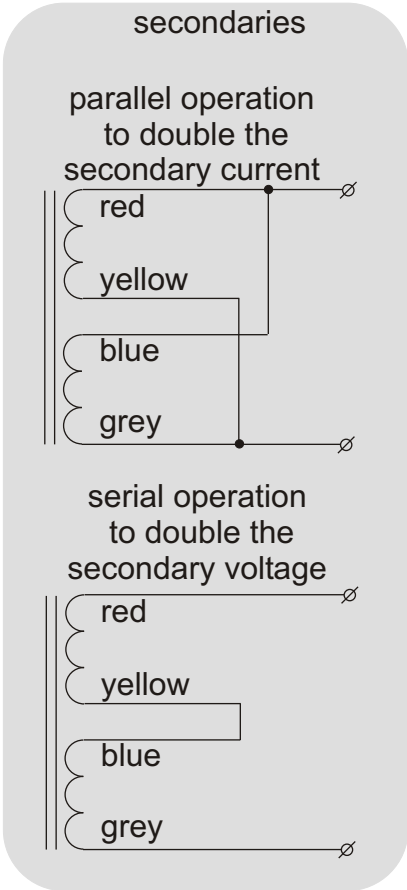
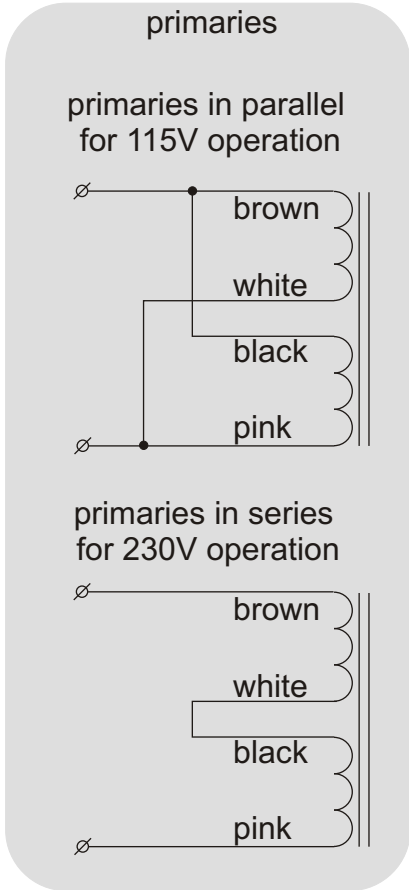
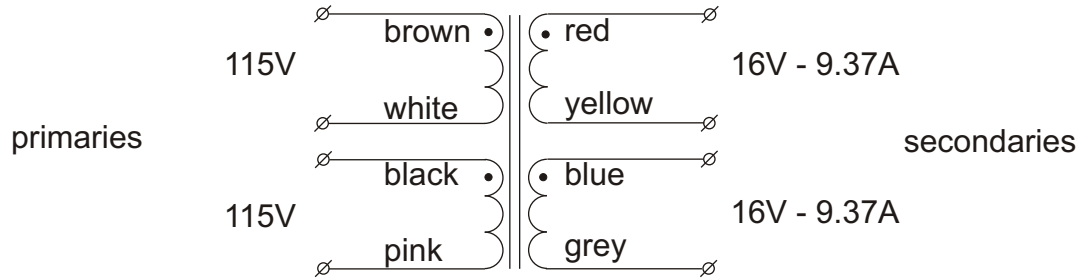


# Toroidal transformer type 77045



Diameter 121mm  
 Height 56mm  
 Weight 2.9kg  
 Height and weight are measured without mounting materials  
 All leads are solid and approx 200mm long

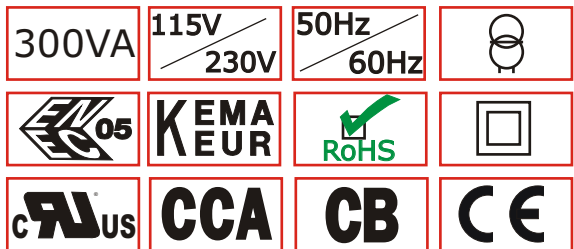
Supplied mounting materials:  
 1 metal washer Ø90mm  
 2 neoprene washers Ø90mm  
 1 bolt M5x70mm with nut

With KEMA KEUR, ENEC, CE and UL/CSA approvals  
 KEMA certificate 96 2307, UL filenumber E320377.

Time lag fuses to be used.  
 For 230V use: primary: 1.6A, 5x20mm, IEC127, high I<sup>2</sup>t value  
 secondary: none  
 For 115V use: primary: 3.15A, 5x20mm, IEC127, high I<sup>2</sup>t value  
 in series with 2 NTC-resistors NTC2.5  
 secondary: none

Type number	primary	secondaries voltage	current
77045	2x115V	2x 16V	9.37A

All voltages are under full ohmic load.  
 Regulation : 5%



	Industrieweg 14 NL-7161BX NEEDE The Netherlands  P O - B o x 27 NL-7160AA NEEDE The Netherlands Tel. +31 (0)545 283456 Fax +31 (0)545 283457  info@amplimo.nl http://www.amplimo.nl	HB	Oct 2010	<h2 style="text-align: center;">77045</h2> <p style="text-align: center;">toroidal transformer                  300VA                  for 115V or 230V operation</p>
	© Copyright Amplimo BV			