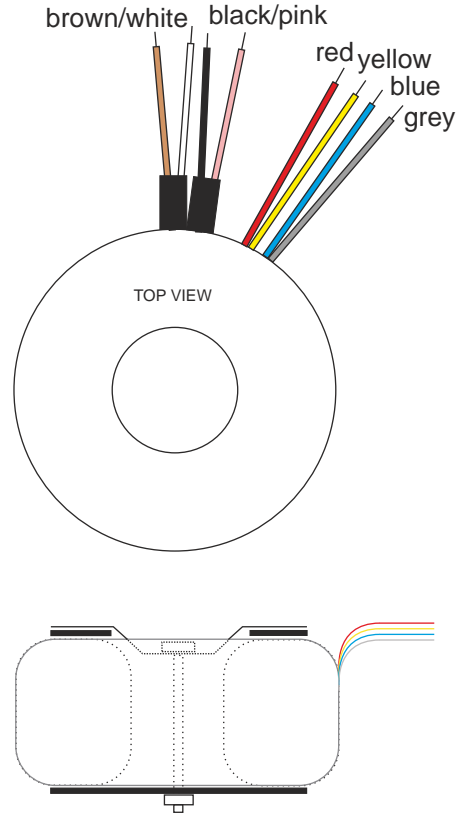
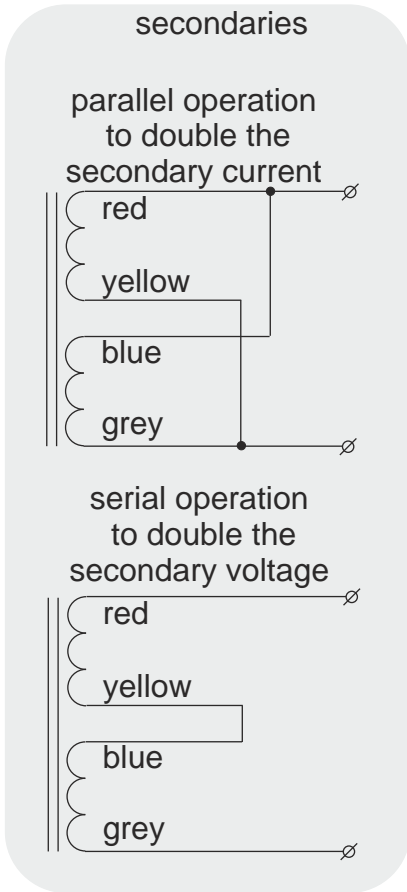
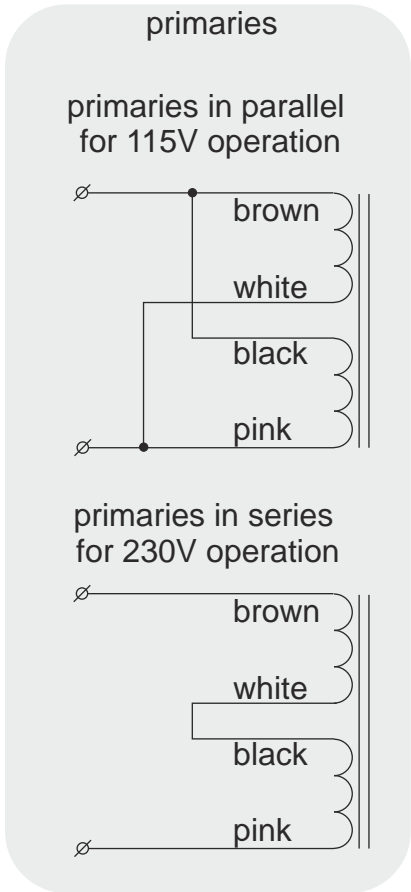
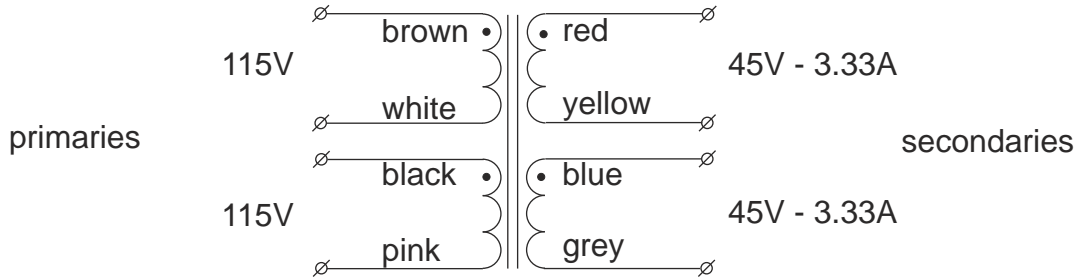


# Toroidal transformer type 77025



Diameter 121mm  
 Height 56mm  
 Weight 2.9kg  
 Height and weight are measured without mounting materials  
 All leads are solid and approx 200mm long

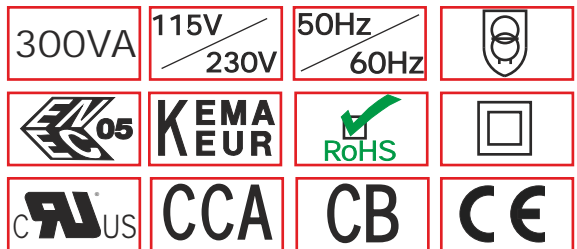
Supplied mounting materials:  
 1 metal washer Ø90mm  
 2 neoprene washers Ø90mm  
 1 bolt M5x70mm with nut

With KEMA KEUR, ENEC, CE and UL/CSA approvals  
 KEMA certificate 96 2307, UL filenumber E320377.

Time lag fuses to be used.  
 For 230V use: primary: 1.6A, 5x20mm, IEC127, high I<sup>2</sup>t value  
 secondary: none  
 For 115V use: primary: 3.15A, 5x20mm, IEC127, high I<sup>2</sup>t value  
 in series with 2 NTC-resistors NTC2.5  
 secondary: none

| Type number | primary | secondaries voltage | current |
|-------------|---------|---------------------|---------|
| 77025       | 2x115V  | 2x 45V              | 3.33A   |

All voltages are under full ohmic load.  
 Regulation : 5%



|  |  |    |          |   |
|--|--|----|----------|---|
|  | Industrieweg 14<br>NL-7161BX NEEDE<br>The Netherlands<br><br>P O - B o x 27<br>NL-7160AA NEEDE<br>The Netherlands<br>Tel. +31 (0)545 283456<br>Fax +31 (0)545 283457<br><br>info@amplimo.nl<br>http://www.amplimo.nl | HB | Oct 2013 | <h2>77025</h2> <p>toroidal transformer<br/>                 300VA<br/>                 for 115V or 230V operation</p> |
|  | © Copyright Amplimo BV   |    |          |   |