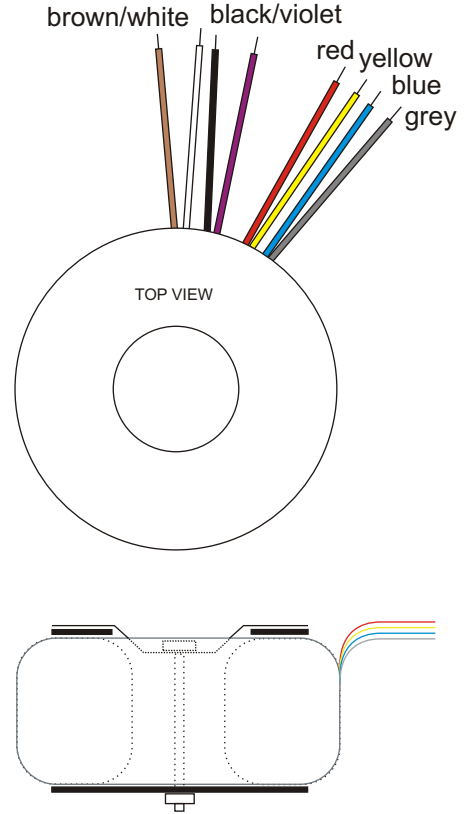
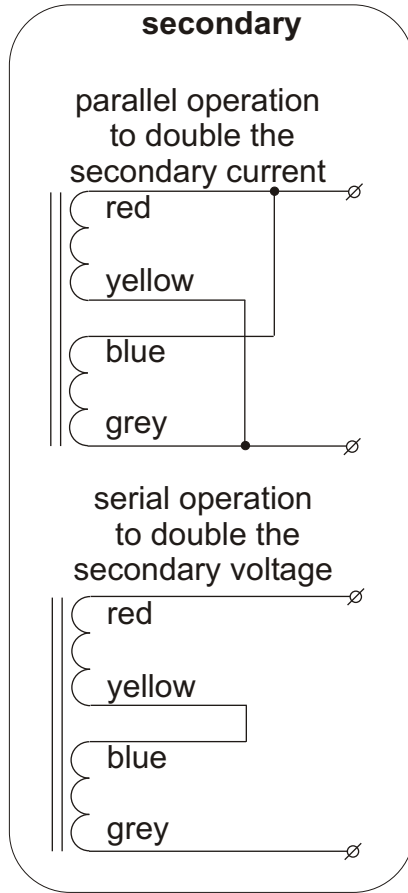
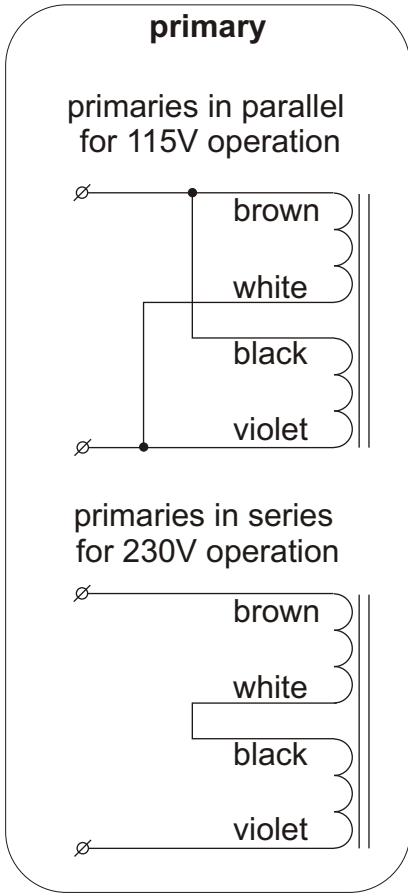
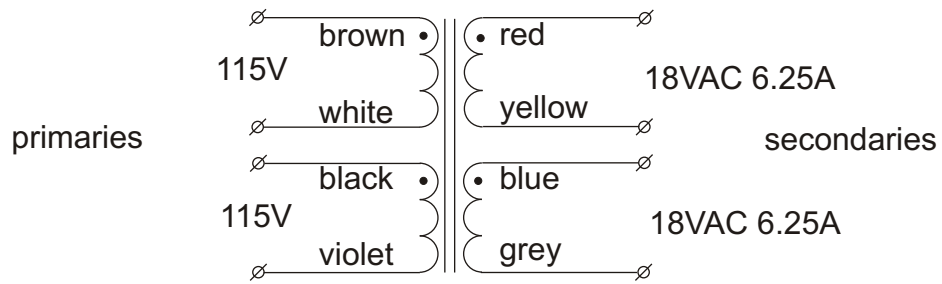


Toroidal transformer type 67614



Diameter approx. 115mm
 Height approx. 50mm
 Weight approx. 2.2kg
 Height and weight are measured without mounting materials
 All leads approx. 200mm long

Supplied mounting materials:
 1 metal washer
 2 neoprene washers
 1 bolt with nut

according to EN61558. With CE and UL/CSA approvals
 UL filenumber E311200.
 RoHS-compliant

Type number	primary	secondaries voltage	current
67614	2x115V	2x 18V	6.25A

All voltages are under full ohmic load
 Regulation : 7.0%

P/N AMP-0225018
 TYPE 67614
 BATCH 00000
 MADE IN CHINA

CE 50/60Hz
 C-UL US E311200

PRI. 2x 115VAC BROWN-WHITE / BLACK-VIOLET
 SEC. 2x 18VAC 6.25A RED-YELLOW / BLUE-GREY

	Industrieweg 14 7161BX NEEDE The Netherlands P O - B o x 2 7 NL-7160AA NEEDE The Netherlands Tel.+31 (0)545 283456 Fax+31 (0)545 283457 info@amplimo.nl http://www.amplimo.nl	HB	May 2009	67614 P/N: AMP-0225018
	© Copyright Amplimo BV	toroidal transformer 225VA		