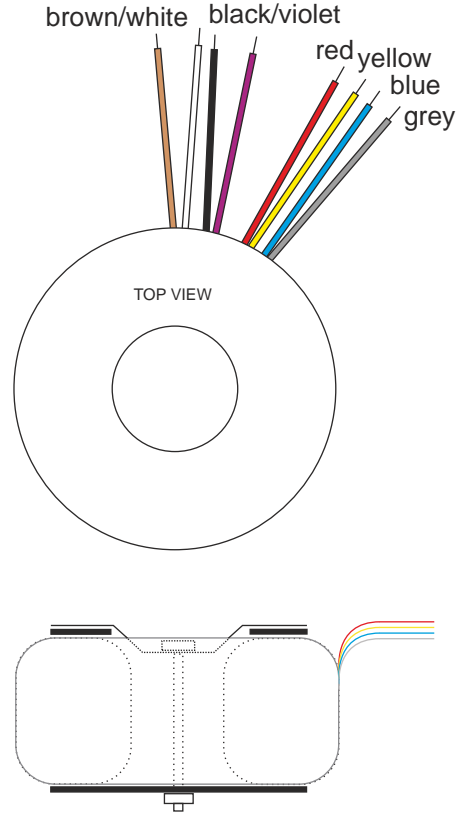
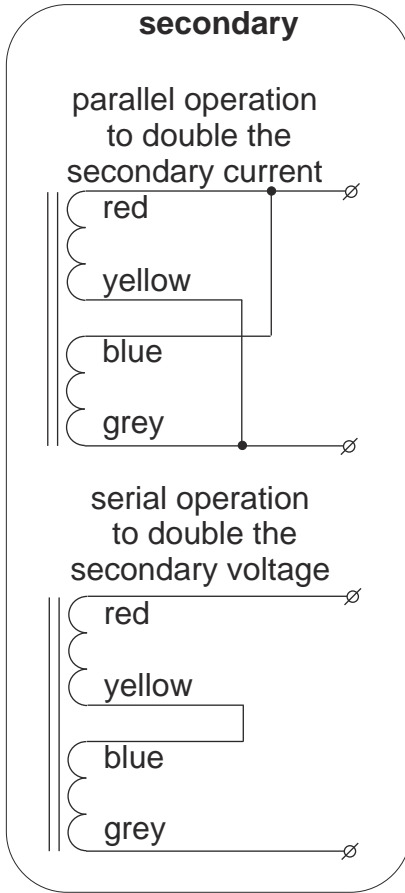
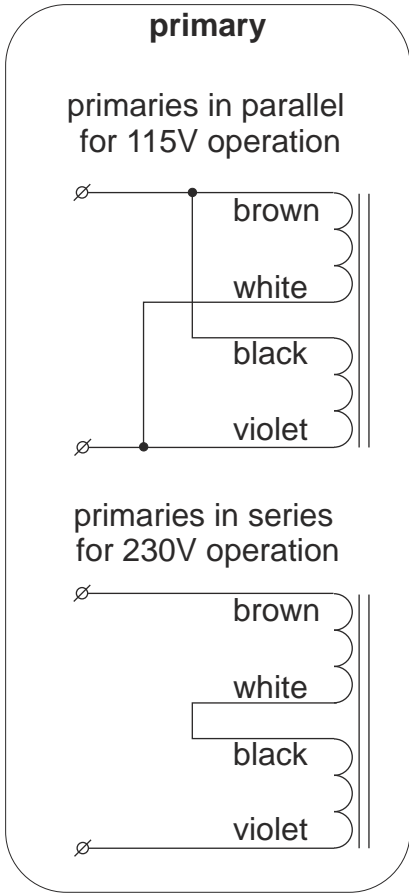
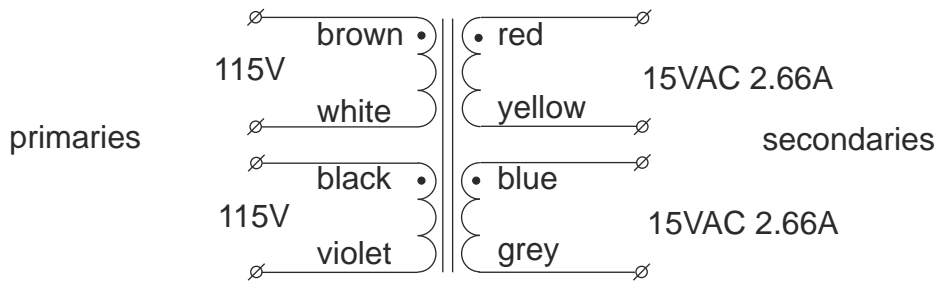


### Toroidal transformer type 37613



Diameter approx. 87mm  
 Height approx. 37mm  
 Weight approx. 0.95kg  
 Height and weight are measured without mounting materials  
 All leads approx. 200mm long

Supplied mounting materials:  
 1 metal washer  
 2 neoprene washers  
 1 bolt with nut

according to EN61558. With CE and UL/CSA approvals  
 UL filenumber E311200.  
 RoHS-compliant

Type number	primary	secondaries voltage	current
37613	2x115V	2x 15V	2.66A

All voltages are under full ohmic load  
 Regulation : 9.8%

	P/N	AMP-0080015		
	TYPE	37613		
	BATCH	00000	50/60Hz	
	MADE IN CHINA			
PRI.	2x 115VAC BROWN-WHITE / BLACK-VIOLET			
SEC.	2x 15VAC 2.66A RED-YELLOW / BLUE-GREY			



Industrieweg 14  
 7161BX NEEDE  
 The Netherlands

P O - B o x 2 7  
 NL-7160AA NEEDE  
 The Netherlands  
 Tel. +31 (0)545 283456  
 Fax +31 (0)545 283457  
 info@amplimo.nl  
 http://www.amplimo.nl

HB

March 2013

© Copyright Amplimo BV

**37613**  
**P/N: AMP-0080015**  
 toroidal transformer  
 80VA