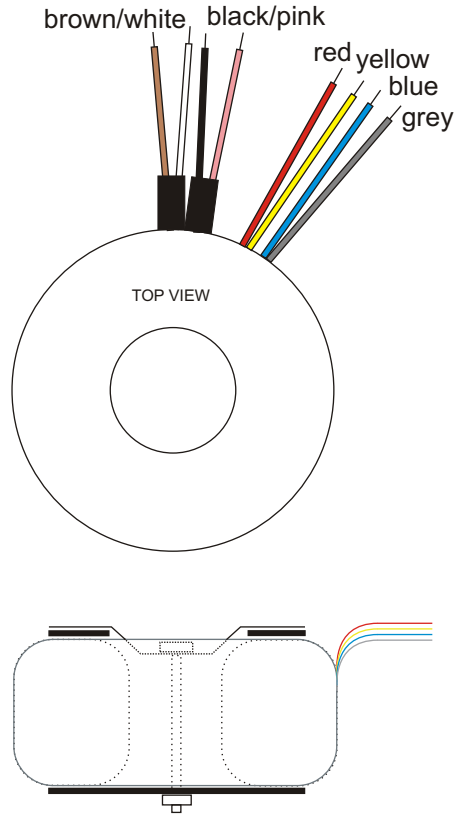
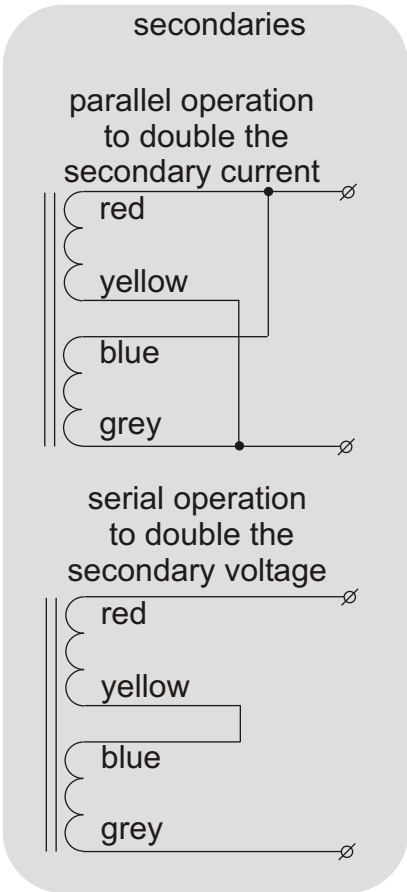
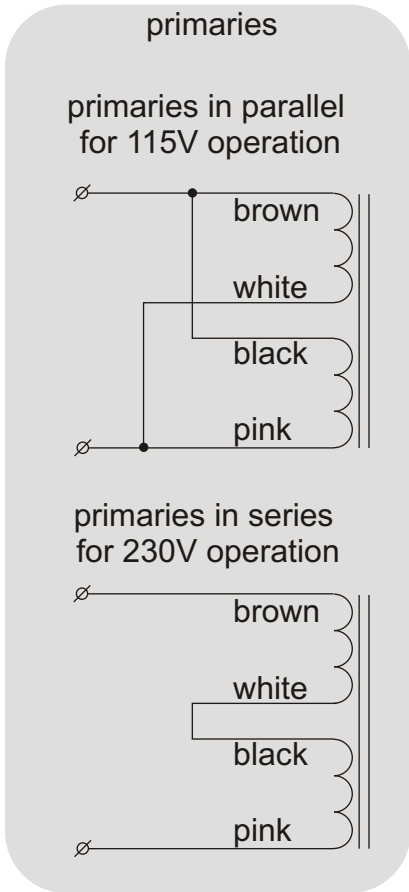
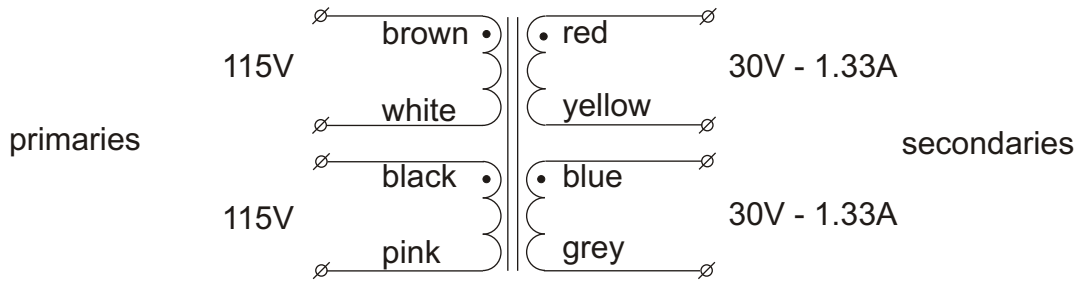


Toroidal transformer type 37017



Diameter 91mm
 Height 35mm
 Weight 0.9kg
 Height and weight are measured without mounting materials
 All leads are solid and approx 200mm long

Supplied mounting materials:
 1 metal washer Ø70mm
 2 neoprene washers Ø70mm
 1 bolt M5x40mm with nut

With KEMA KEUR, ENEC, CE and UL/CSA approvals
 KEMA certificate 96 2307, UL filenumber E320377.

Time lag fuses to be used.
 For 230V use: primary: 0.4A, 5x20mm, IEC127, high I²t value
 secondary: none
 For 115V use: primary: 0.8A, 5x20mm, IEC127, high I²t value
 secondary: none

| Type number | primary | secondaries voltage | current |
|-------------|---------|---------------------|---------|
| 37017 | 2x115V | 2x 30V | 1.33A |

All voltages are under full ohmic load.
 Regulation : 10%

| | | | |
|------|-------------|-------------|----|
| 80VA | 115V / 230V | 50Hz / 60Hz | |
| | KEMA KEUR | | |
| | CCA | CB | CE |

| | | | | |
|--|--|----|----------|--|
| | Industrieweg 14 NL-7161BX NEEDE The Netherlands P O - B o x 27 NL-7160AA NEEDE The Netherlands Tel.+31 (0)545 283456 Fax+31 (0)545 283457 info@amplimo.nl http://www.amplimo.nl | HB | Oct 2010 | <h1>37017</h1> <p>toroidal transformer 80VA for 115V or 230V operation</p> |
| | © Copyright Amplimo BV | | | |