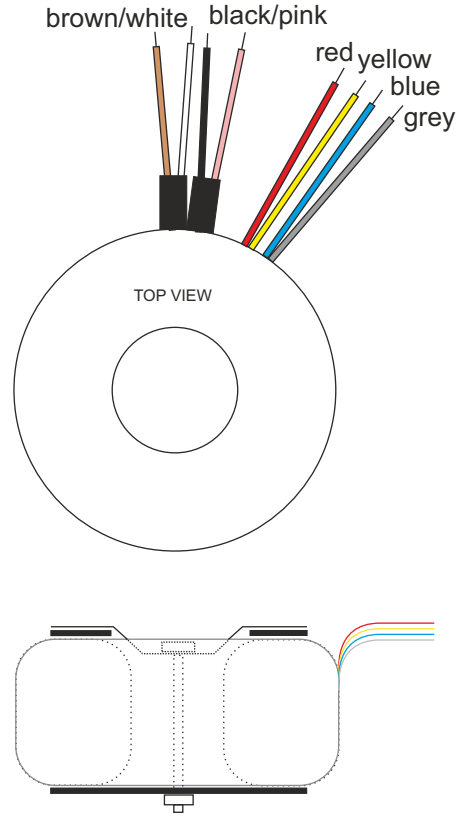
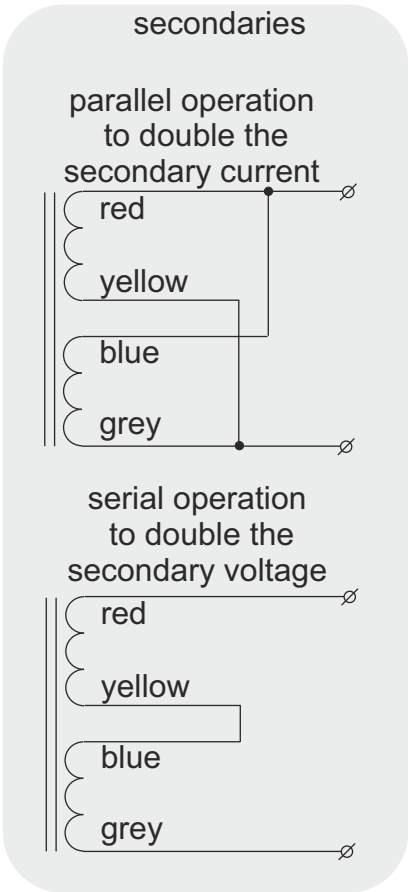
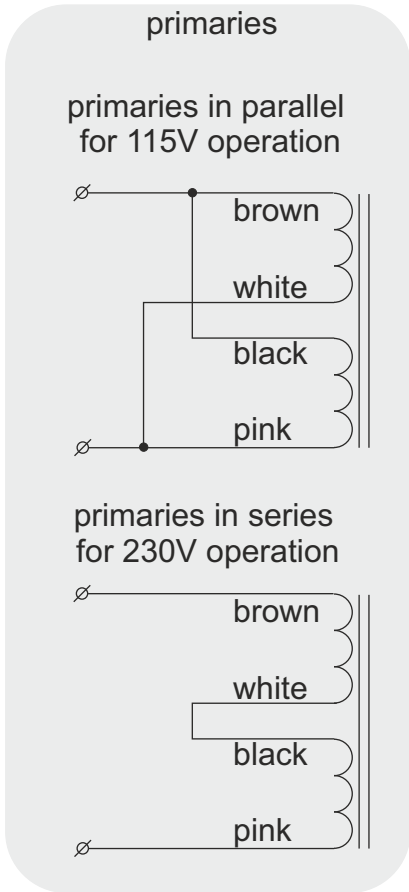
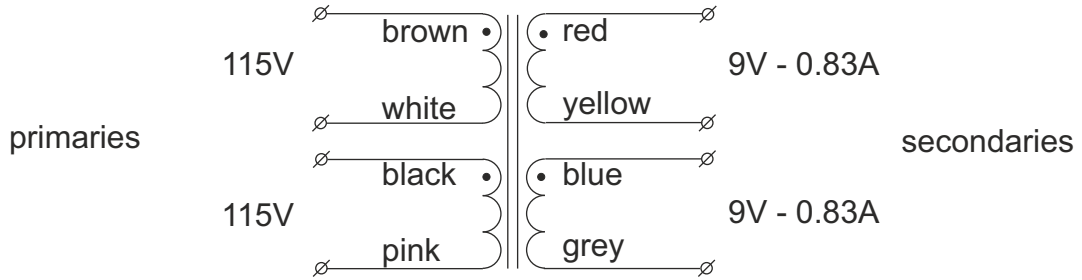


# Toroidal transformer type 07011



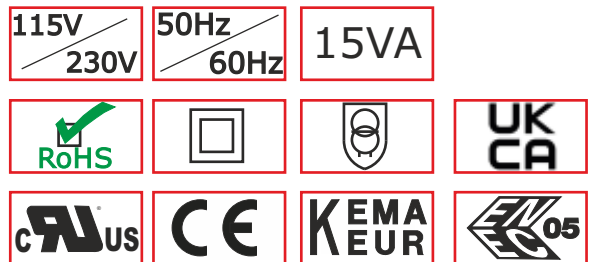
Diameter 60mm  
 Height 28mm  
 Weight 0.31kg  
 Height and weight are measured without mounting materials  
 All leads are solid and approx 200mm long

Supplied mounting materials:  
 1 metal washer Ø50mm  
 2 neoprene washers Ø50mm  
 1 bolt M5x40mm with nut  
 KEMA KEUR, ENEC approvals, certificate 2159403.01  
 UL/CSA approvals, UL filenumber E320377.  
 CE, RoHS-compliant

Time lag fuses to be used.  
 For 230V use: primary: 0.08A, 5x20mm, IEC127, high I<sup>2</sup>t value  
 secondary: none  
 For 115V use: primary: 0.16A, 5x20mm, IEC127, high I<sup>2</sup>t value  
 secondary: none

Type number	primary	secondaries voltage	current
07011	2x115V	2x 9V	0.83A

All voltages are under full ohmic load.  
 Regulation : 19%



Industrieweg 14  
 NL-7161BX NEEDE  
 The Netherlands  
 P O - B o x 2 7  
 NL-7160AA NEEDE  
 The Netherlands  
 Tel.+31 (0)545 28 3456  
 info@amplimo.nl  
 https://www.amplimo.nl

HB  
 HB  
 Oct 2010  
 Apr 2023  
 © Copyright Amplimo BV

**07011**  
 toroidal transformer  
 range 15VA  
 for 115V or 230V operation