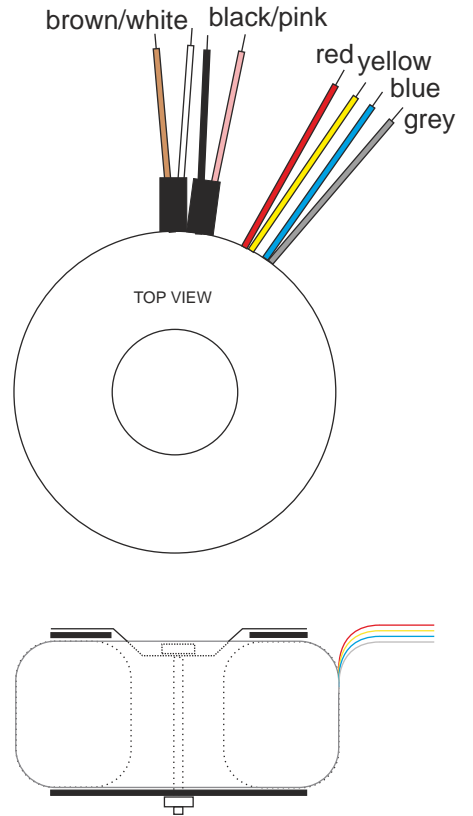
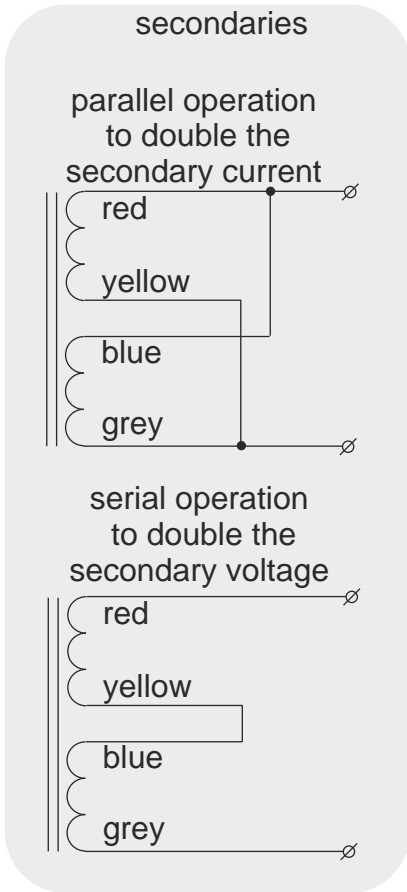
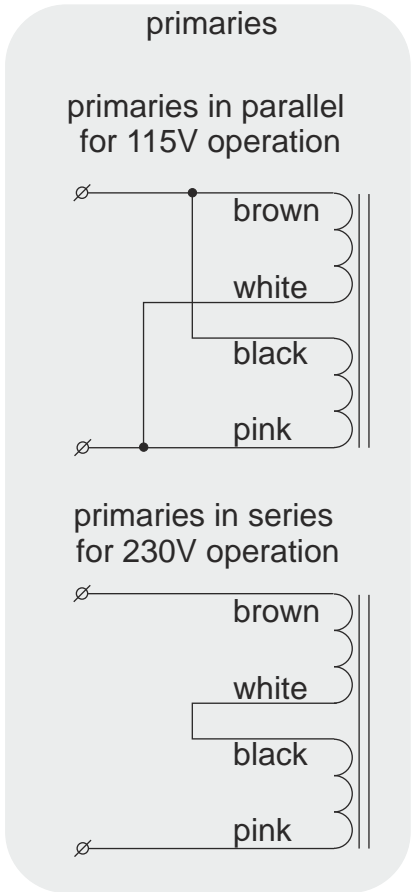
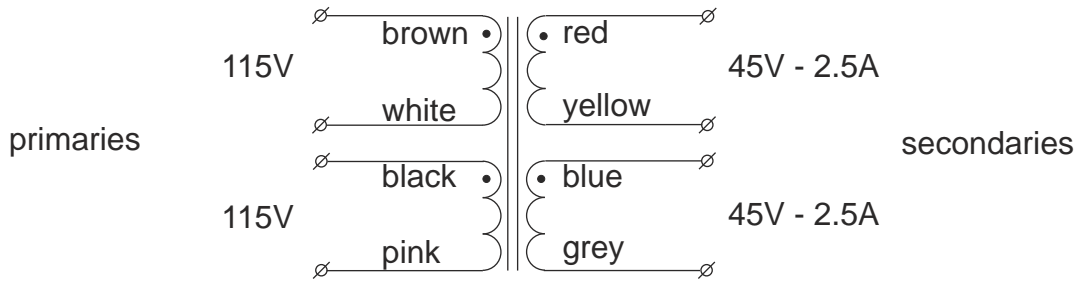


Toroidal transformer type 67025



Diameter 110mm
 Height 52mm
 Weight 2.3kg
 Height and weight are measured without mounting materials
 All leads are solid and approx 200mm long

Supplied mounting materials:
 1 metal washer Ø90mm
 2 neoprene washers Ø90mm
 1 bolt M5x60mm with nut

With KEMA KEUR, ENEC, CE and UL/CSA approvals
 KEMA certificate 96 2307, UL filenumber E320377.

Time lag fuses to be used.
 For 230V use: primary: 1.0A, 5x20mm, IEC127, high I²t value
 secondary: none
 For 115V use: primary: 2.0A, 5x20mm, IEC127, high I²t value
 secondary: none

Type number	primary	secondaries voltage	current
67025	2x115V	2x 45V	2.5A

All voltages are under full ohmic load.
 Regulation : 7%

225VA	115V / 230V	50Hz / 60Hz	
	KEMA KEUR	RoHS	
UL US	CCA	CB	CE



Industrieweg 14
 NL-7161BX NEEDE
 The Netherlands
 P O - B o x 27
 NL-7160AA NEEDE
 The Netherlands
 Tel. +31 (0)545 283456
 Fax +31 (0)545 283457
info@amplimo.nl
<http://www.amplimo.nl>

HB Aug 2012
 Copyright Amplimo BV

67025
 toroidal transformer
 225VA
 for 115V or 230V operation