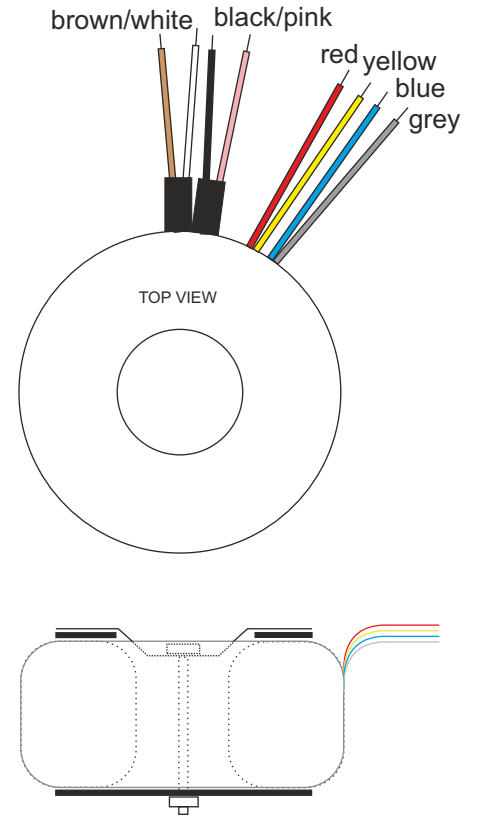
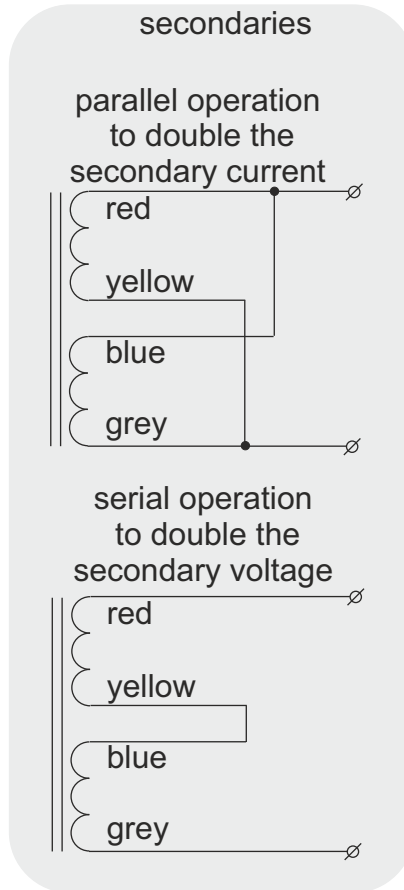
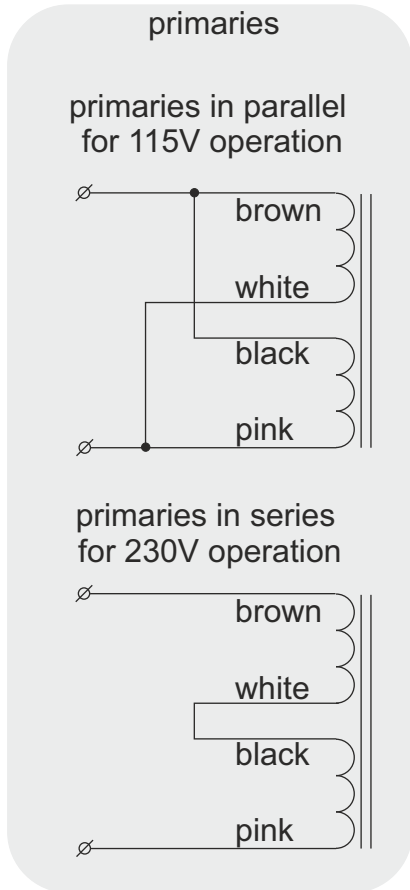
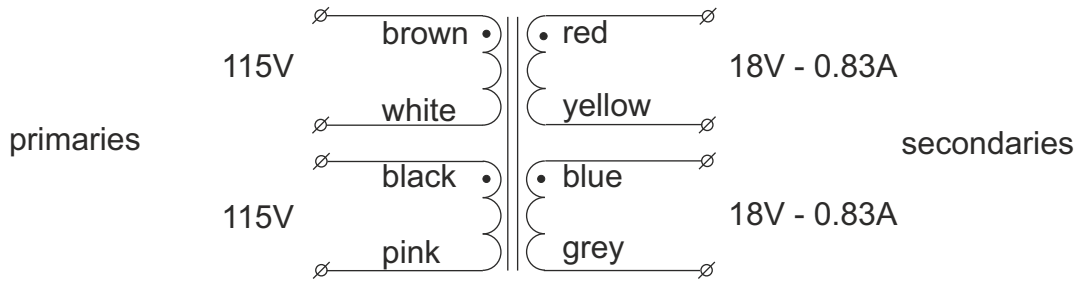


Toroidal transformer type 17014



Diameter 70mm
 Height 32mm
 Weight 0.44kg
 Height and weight are measured without mounting materials
 All leads are solid and approx 200mm long

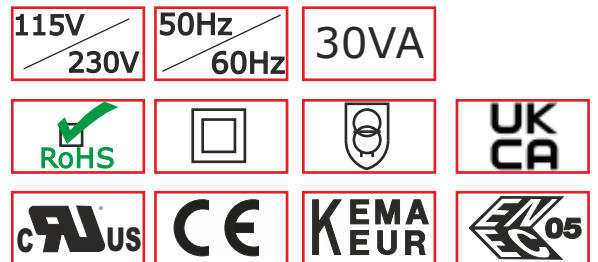
Supplied mounting materials:
 1 metal washer Ø50mm
 2 neoprene washers Ø50mm
 1 bolt M5x40mm with nut

KEMA KEUR, ENEC approvals, certificate 2159403.01
 UL/CSA approvals, UL filenumber E320377.
 CE, RoHS-compliant

Time lag fuses to be used.
 For 230V use: primary: 0.16A, 5x20mm, IEC127, high I²t value
 secondary: none
 For 115V use: primary: 0.315A, 5x20mm, IEC127, high I²t value
 secondary: none

Type number	primary	secondaries voltage	current
17014	2x115V	2x 18V	0.83A

All voltages are under full ohmic load.
 Regulation : 17%



Industrieweg 14
 NL-7161BX NEEDE
 The Netherlands
 P O - B o x 2 7
 NL-7160AA NEEDE
 The Netherlands
 Tel.+31 (0)545 28 3456
 info@amplimo.nl
 https://www.amplimo.nl

HB
 HB

Oct 2010
 Apr 2023

17014

toroidal transformer
 range 30VA
 for 115V or 230V operation

© Copyright Amplimo BV